

Before You Start / Preparations

To save time and avoid frustration. Please read all the instructions before you begin the installation
Improper installation will void the warranty.

Important Notice

- Always allow the product to acclimatise to the room in which it is being laid for at least 48 hours. It must be stored horizontally on a level surface, and the temperature must be between 18-25°C for at least 24hrs before, during and after the installation.
- Transport and store all flooring packs on a flat surface while keeping them in neat piles.
- The subfloor must be smooth and level with no more than 3mm deviation in any 2.0mtr run; check using a straight edge.
- Do **NOT** install heavy cabinets over the floor (that will pin it); install them around such objects. Always allow a 6mm expansion gap around the room's perimeter between the installation and any solid objects, such as skirting boards, radiator pipes and cabinets. An expansion gap is also required around and under doorways.
- For use over Water-based underfloor heating, ensure the heating element never exceeds 27°C. Turn off your system 48 hours before installation. Once installed, you can turn your system on again, starting at 15°C, increasing at a maximum of 5°C per day until a maximum of 27°C is reached. This flooring should **NOT** be installed over electrical underfloor heating.
- Visually inspect all panels before and during installation under optimal light conditions. Any defective panels must not be used, and any planks installed are deemed to be accepted and cannot be claimed under the product warranty.
- Make sure you check your flooring before starting installation. Ensuring you have the right product, the correct quantity (including cutting allowance), and no visible defects visible on your flooring. This will save you time later in the installation.
- Additional underlay is not required with products with a built-in underlay attached.
- For floor surfaces exceeding 100m², or greater than 10m in a single direction, you will need to add a transition profile to allow a 6mm expansion joint to be installed to have two smaller areas.

Tools Required:

For a successful installation, the following tools will be necessary:



Spacers



Soft Rubber
Mallet



Ruler



Pencil



Tape
Measure



Utility
Knife



Saw



Pull Bar



Tapping
Block

Disclaimer:

At the time of writing, all information is specified correctly. The manufacturer reserves the right to change the specifications of this product at any time without prior notice to third parties.

The photographs/illustrations in this document are only intended as a visual reference, and no rights can be derived from them.

You must ensure you use a suitable transition profile in your doorways. Installing as one floor between multiple rooms will void the manufacturers warranty.

100% WATERPROOF AQUACORE BOARD

with **PROFLEX** Technology

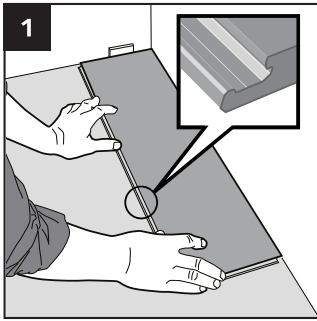


Produced under license of Unilin - EPR nr. 0843763 (US, patent nr. 6,006,486)

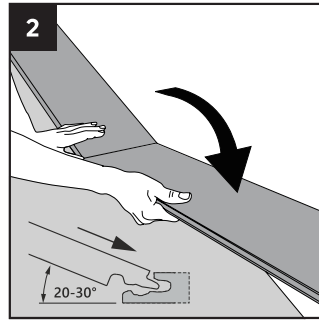
ENGINEERED SPC VINYL FLOORING

INSTALLATION INSTRUCTIONS

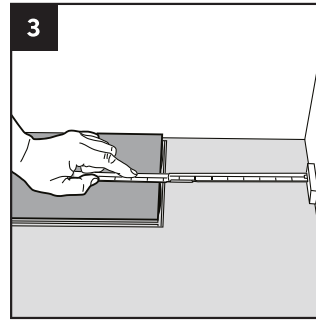
Installation Instructions:



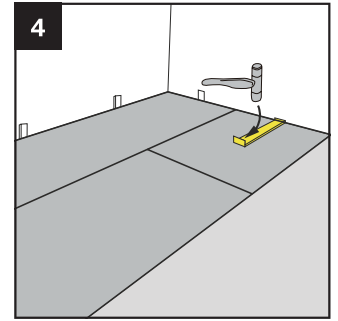
1
First plank, first row
Place a 6mm spacer to the left of your first board. Place your first board down, ensuring the board presses the spacer against the wall.



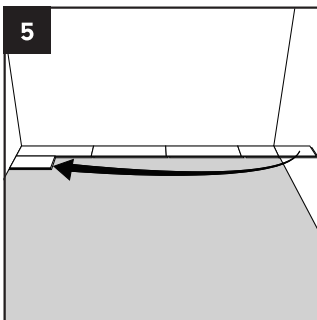
2
Second plank, first row
Push the short end of the next plank at an angle into the end of your first board and then fold down flat. Continue to follow the same process while installing your first row of flooring.



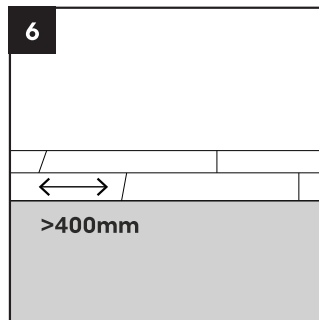
3
At the end of the first row, put a 6mm spacer against the wall and measure the length of the last panel to fit and cut to size.



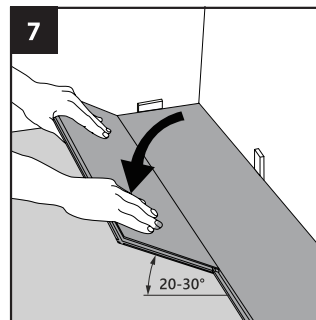
4
Use a rubber mallet and pull bar on the final piece in each row to engage the installation system, tapping the final board into its place within the row.



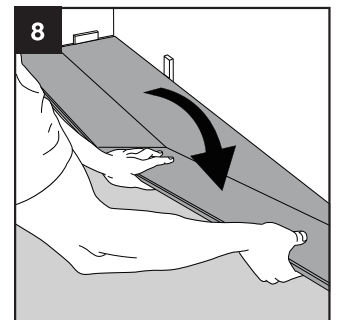
5
Second row. Your first panel should be a minimum of 400mm long. Use the off-cut from your last row to start your new row where possible. This will minimise waste. Don't forget to add a 6mm spacer in the same way as you did in the first row.



6
Always maintain the staggered joint distance when installing your flooring (e.g. Keep a minimum of 400mm between short ends of panels in parallel rows). Your panel header joints must not line up with each other at any point.



7
Install the first plank of row 2 by placing the board on the 30-degree angle into your previous row, press forward and fold down simultaneously. Leave this plank in an angled-up position when the planks start to lock. You can then place a wedge with a suitable angle under the plank near the short side joint as support to make the next step easier.



8
Second plank, second row - Place the short end of the plank at an angle against the previously installed plank and fold down all the way.

100% WATERPROOF AQUACORE BOARD

with PROFLEX Technology

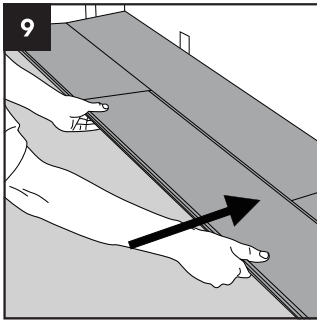
UNICLIC 

Produced under license of Unilin - EPR nr. 0843763 (US, patent nr. 6,006,486)

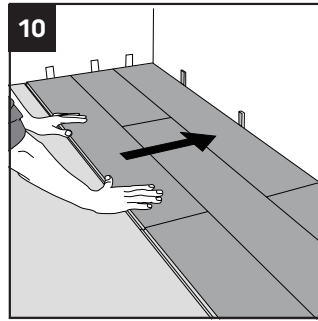
ENGINEERED SPC VINYL FLOORING

INSTALLATION INSTRUCTIONS

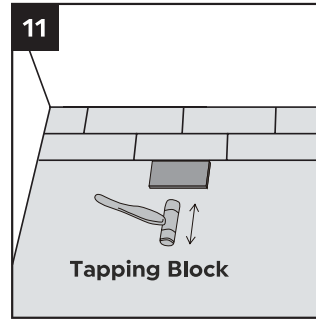
Installation Instructions:



Push forward to slide the plank against the previous row so it aligns with the first plank of your current row. The first/previous plank can now be folded completely flat to a horizontal position. If a wedge is used, it can be moved to the next short-end joint.

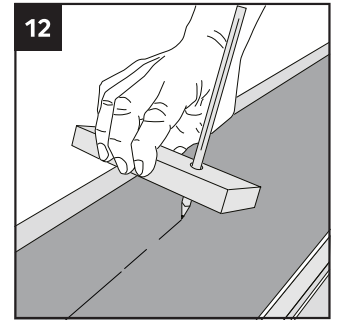


After 3 rows have been installed, place 6mm spacers along the back wall from which you have been installing. Push the flooring towards these spacers. This will ensure you have left the necessary expansion gap around the perimeter of your first 3 rows. Keep the spaces in position throughout the installation and remove them once all your flooring has been installed.

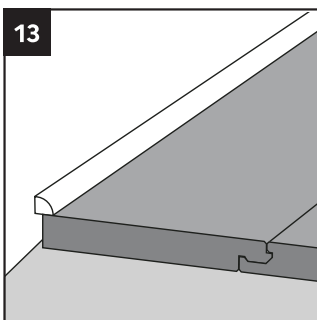


After installing each row, use a tapping block and a small rubber mallet to tap the planks into the previous row gently. This will ensure they are tightly clicked together, and there is no gap between the long side of the planks installed.

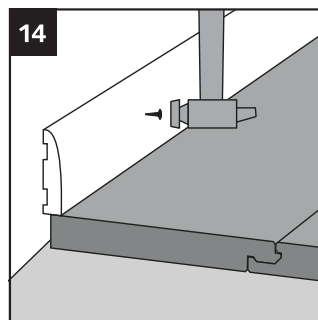
**ANY GAPS CAN
COMPROMISE THE
WHOLE INSTALLATION.**



Last row (and perhaps also the first row). Minimum board width 50mm. You can check this before starting by measuring your room and dividing it by the width of the planks. Place a spacer on the wall before measuring. Make a simple drawing tool (a piece of wood with a hole, the width of a plank of flooring) and mark the panel along the wall. Cut the panels lengthwise, including the flexible tongues. Once the size is correct, install it in the same way as the previous rows. Instead of using a tapping block, you will need to use your pull bar to tap it into the previous row.



Once the floor is installed, remove the spacers; sweep the floor with a soft brush. Fix the skirting/base boards or suitable edge trim (available from your local distributor) to cover the expansion gaps. These should be attached to the wall, not the floor. This will allow your product to remain free to expand underneath the trim. (Steps 13 & 14).

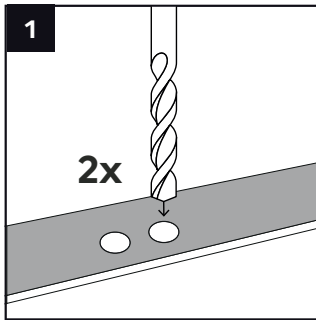


100% WATERPROOF AQUACORE BOARD

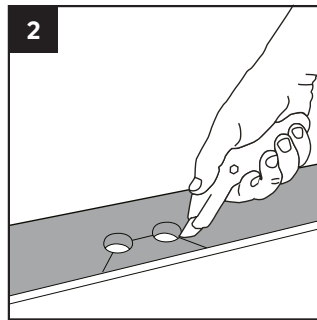
with **PROFLEX** Technology

UNICLIC 
Produced under license of UniClick - EPFR - 08437631/US, patent nr. 6,006,486

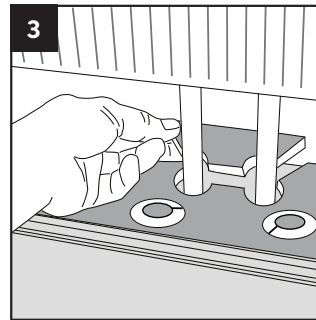
Radiator Pipes



Drill holes that are 2x larger than the diameter of the pipes.

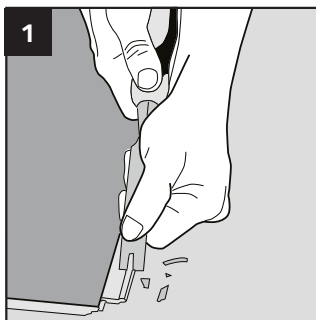


Remove a piece of the panel with a utility knife

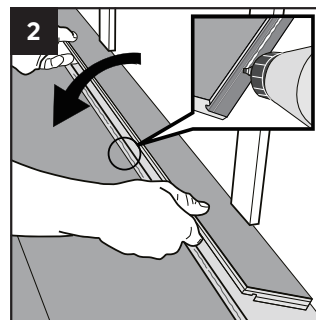


Put the panel on one side of the pipes and the removed piece on the other side. Use a suitable D4 rated PVA Flooring adhesive to glue them together. You can add pipe covers to hide the expansion gap around the pipe(s).

When angling is not possible

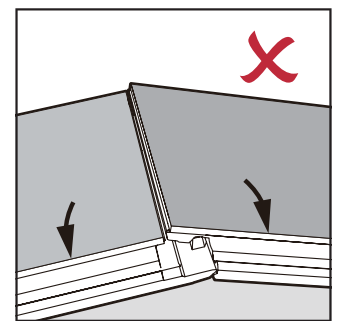
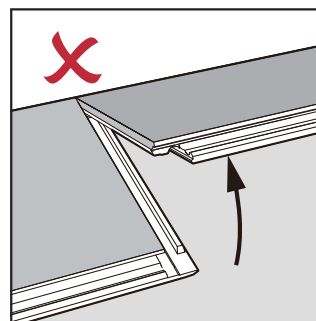
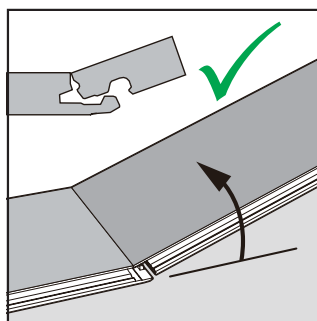
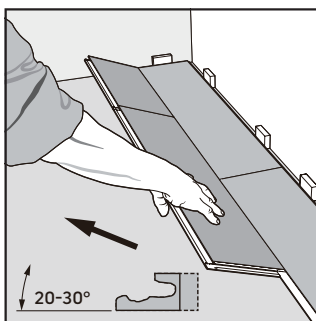


Remove the vertical locking part of the strip with a chisel.



Apply glue on the strip and push the panels horizontally together. Place some spacers between the last board and the wall.

Disassembly



1. Separate the whole row by carefully lifting up and releasing the entire row.
2. Fold up the row and release the whole long side.
3. Disassemble the panels by angling the short sides up vertically.

100% WATERPROOF AQUACORE BOARD

with **PROFLEX** Technology

UNICLIC 

Produced under license of UniClick - EPR nr. 08437631/US, patent nr. 6,006,486

How to maintain your floor?

Top Tips

- Clean up spills and excessive liquids immediately.
- Use proper floor protection devices such as felt protectors under furniture.
- Use a mat at entrance ways (please ensure the mat doesn't have rubber backing).
- Do not use abrasive cleaners, bleach to maintain the floor.
- Do not drag or slide heavy objects across the floor.

Daily Maintenance

For day-to-day cleaning, it is essential to dust your flooring with a microfibre mop or cloth each day to prevent any scratches and surface damage. Microfibre cleaning pads use static electricity to trap dirt, particles and other household allergens.

Dusting the surface will remove any particles of dust and grit that may appear from footwear and chair legs - This will prevent the floor from long-term damage. Household brushes may also be used, but please be aware that these can push the dirt around and potentially cause scratches to the floor's surface.

Weekly Maintenance

We recommend giving your floor a vacuum or damp mop weekly to remove more stubborn stains or debris that may have dried onto the surface.

When using a vacuum, pay close attention that there are no protruding parts around the tools that may cause damage to the surface of the floor.

Any excess water should be removed from the floor. Never leave or expose your flooring to long term standing water as this can cause swelling, warping, de-lamination and even joint separation on the surface layer of the floor. The Aquacore of the board structure is 100% waterproof, however the surface layer is limited and sensitive to over exposure to moisture, failure to remove standing liquids will not only reduce the lifespan of your floor, it will most likely void any manufacturer's warranty.



Steam Mops

We do **NOT** recommend using steam or wet mops on this floor, which will void the manufacturer's warranty.

100% WATERPROOF AQUACORE BOARD

with **PROFLEX** Technology



Produced under license of Unilin - EPFR - 0843763 (US patent nr. 6,006,486)